

Cissell Manufacturing Company  
831 S. First St. / P.O. Box 32270  
Louisville, Ky. 40232-2270  
PH. 502/587-1292  
FAX 502/585-3625  
www.cissellmfg.com



# The HD 250 lb. *On Premise Laundry* Dryers

## FEATURE

Gas - 700000 BTU - 5000 CFM  
Steam - 21 BHP - 5500 CFM

Full 250 lb. capacity basket  
Safest Dryer Available

Rotational Sensor - Standard (DMP)  
Door Switch - Standard  
Emergency Stop Button - Exclusive  
Lint Drawer Switch - Exclusive  
24 V Controls Ignition System  
Lockable service doors - Standard  
Anti-wrinkle Safety tumble

Hi-limit Bonnet Safety Thermostat

Diagnostics - optional (DMP)

Huge 10" wheels for basket support

No Air compressor Required  
(except for tilting models)

Gear Motor Drive System

Large Door Opening with Large Glass

Stainless Steel Basket

Large easy rolling lint drawer with  
Stainless Steel Screen

Double -Motor Reversing

Stainless Steel Burners - Standard

Dual Bonnet Heat System

Electrostatically Applied Powder Paint

Double Wall Construction

16" Duct vs 20"

1-1/4" Gas line Instead of 1-1/2" Gas Line

## BENEFIT

Ideal balance between BTU  
and CFM for maximum  
efficiency and fast dry times  
AGA Efficiency Testing 1900 BTU/lb of Water Removed

No sag basket supported on quiet and heat resistant wheels

Detects broken belts  
Mechanical door switch that stops the dryer when the door opens  
Instantly shuts off dryer  
Automatically shuts dryer down when lint drawer is open  
Additional safety for operator  
Easily accessibility for servicing and lockable for safety  
If door is not opened at the end of the cycle, dryer will tumble to remove  
residual heat while also preventing wrinkles  
Shuts down dryer should dryer overheat

Allows operator or service technician to instantly diagnose problems

3 year warranty

Less costly installation / less maintenance

Rugged, quiet, and low maintenance

31- 1/2" X 42" door opening for ease of loading and unloading

Standard

Allows for easier cleaning

Standard

Increased efficiency / long burner life

Provides a uniform heat distribution eliminating hot spots

Painted inside and out to prevent chipping and rusting

Keeps heat inside while outside stays cool

Reduces installation costs

Less costly installation

# The HD250 *On Premise Laundry Dryers*

Specifications	U.S. Measure	Metric Measure
<b>Capacity (Dry Linen)</b>	250 lbs	113.4 kg
<b>Basket Diameter</b>	57 inch	1447.8 mm
Depth	54 5/8" inch	1387.5 mm
Volume	80.7 ft <sup>3</sup>	2285.2 liter
<b>Cabinet (HxWxD)</b>	113 5/8" X 74 3/4" X 80 7/8"	2886 X 1899 X 2054 mm
<b>Door Opening</b>	41 7/8" inch X 36" inch	1063.6 mm x 914.4 mm
<b>Door Loading Ht.</b>	34" inch	863.6 mm
<b>Temperature</b> Min.	100° F	38° C
Max.	195° F	90° C
<b>Motor</b> Drum	3 Hp	2.2 kW
Fan Gas	7 1/2 Hp	5.6 kW
Steam	15 Hp	11.2 kW
<b>Exhaust Flow Rate</b>		
Gas	5000 cfm	8495 m <sup>3</sup> /h
Steam	5500 cfm	9345 m <sup>3</sup> /h
Diameter	16 inch	406.4 mm
<b>Maximum Air Displacement</b>	5500 cfm	9345 m <sup>3</sup> /h
<b>Recommended Operating Range</b>	4800-5500 cfm	8155 - 9345 m <sup>3</sup> /h
<b>Export Cube- TOP</b>	291 ft <sup>3</sup>	8.2 m <sup>3</sup>
BOTTOM	93 ft <sup>3</sup>	2.6 m <sup>3</sup>
<b>Electric Connections</b>		NA
<b>Power</b> Gas Input	700,000 Btu/h	176,400 kcal/h
Steam Consumption at 125 p.s.i. (Max. Pressure)	21 BHP	177171 kcal/h
<b>Connection</b> Gas	1-1/4" SPT	DN32
Steam Inlet	1-1/2" SPT	DN38
Steam Outlet	3/4" SPT	DN20
<b>Gas Pressure</b>		
Recommended Inlet supply (Nat.Gas)	5-12" WC	12-30 mbar
Recommended Inlet supply (LP Gas)	14" WC	34.8 mbar
Manifold Pressure (Nat. Gas)	3.5" WC	8.7 mbar
Manifold Pressure (LP Gas)	11" WC	27.4 mbar
<b>Shipping Dim.</b> (H x W x D) TOP	92" X 76" X 72"	2337 X 1930 X 1829mm
BASE	36" X 72" X 62"	914 X 1829 X 1575mm
<b>Weight</b> Net TOP	2128 lb	965 kg
BASE	807 lb	366 kg
<b>Shipping</b> TOP	2632 lb	1194 kg
BASE	1110 lb	503 kg



## Diagnostic Microprocessor

Feature	Benefit
1) 5 preset programs	No programming necessary, but programs can be easily customized.
2) On/Off Reversing button	Simply push button to activate or deactivate reversing action.
3) Anti-wrinkle safety tumble	If door is not opened at end of cycle dryer will tumble to remove any excess heat and at the same time prevent unnecessary wrinkling.
4) Temperature display	Simply push and hold temperature button and the display will show the current basket temperature.
5) End of cycle buzzer	Alerts operator that the cycle is finished.
6) Extra contacts standard	Allows a strobe light to be added for the hearing impaired. Meets Veteran Hospital specifications. Simply push and hold the start button and it displays RPM's of the basket. This helps maintenance workers determine if belts need to be tightened.
7) Basket RPM display	Alerts operator to clean the lint filter.
8) Lint door monitor	A) dor Indicates the loading door is in the open position or dryer is tilted.
9) Automatic diagnostic display	B) Ldr Indicates lint door switch is in the open position C) cln Indicates lint filter needs to be cleaned D) FSS Indicates a failure of the sail switch E) -S- Indicates safety tumble mode F) End End of Cycle



**Cissell Manufacturing Company**  
**HEADQUARTERS**  
 831 S. FIRST ST. / P.O. BOX 32270  
 LOUISVILLE, KY. 40232-2270  
 PH. 502/587-1292 - FAX 502/585-3625  
[www.cissellmfg.com](http://www.cissellmfg.com)

*All specifications are subject to change without notice.*

**AGA, CGA, CSA and CE Pending**

Cissell Mfg. Co.  
 831 S. First St. / P.O. Box 32270  
 Louisville, Ky. 40232-2270  
 PH. 502/587-1292  
 FAX 502/585-3625  
 www.cissellmfg.com



Cissell Mfg. Co.  
 831 S. First St. / P.O. Box 32270  
 Louisville, Ky. 40232-2270  
 PH. 502/587-1292  
 FAX 502/585-3625  
 www.cissellmfg.com

# The HD 250 *On Premise Laundry Dryers*

Clearance:  
 Top: 18" Minimum

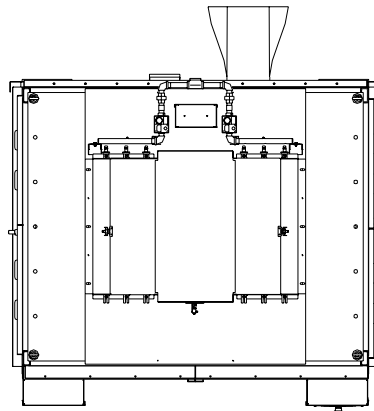
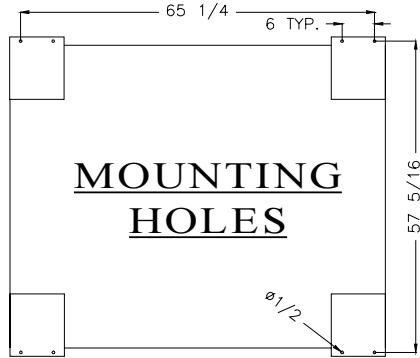
Back: 24" Minimum.  
 36" recommended

Side: 0" permitted.  
 30" recommended

**ALL DIMENSIONS ARE +/- 1/4" (+/- 6.4 mm) AND ARE SUBJECT TO CHANGE WITHOUT NOTICE**

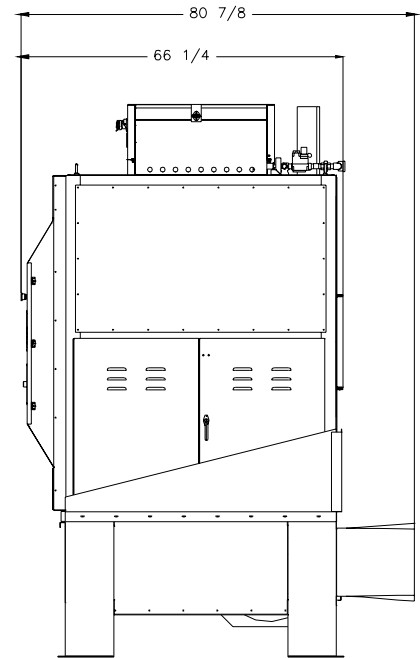
## Classified Material

This drawing or diskette is submitted to you with the confidence that it will be used only for your information and application engineering studies and shall not be used in any manner detrimental to the interests of Cissell Manufacturing Company.

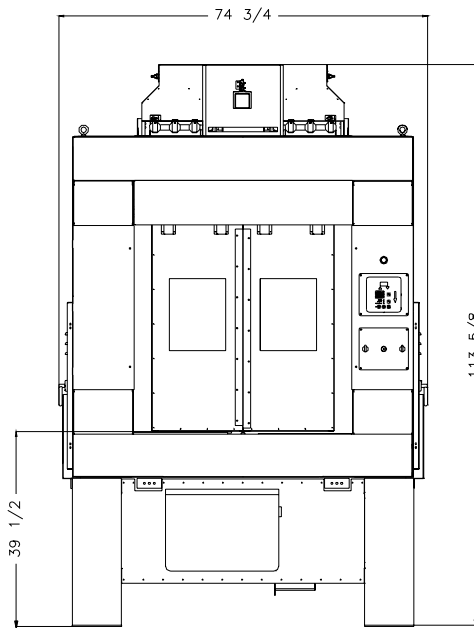


**TOP VIEW**

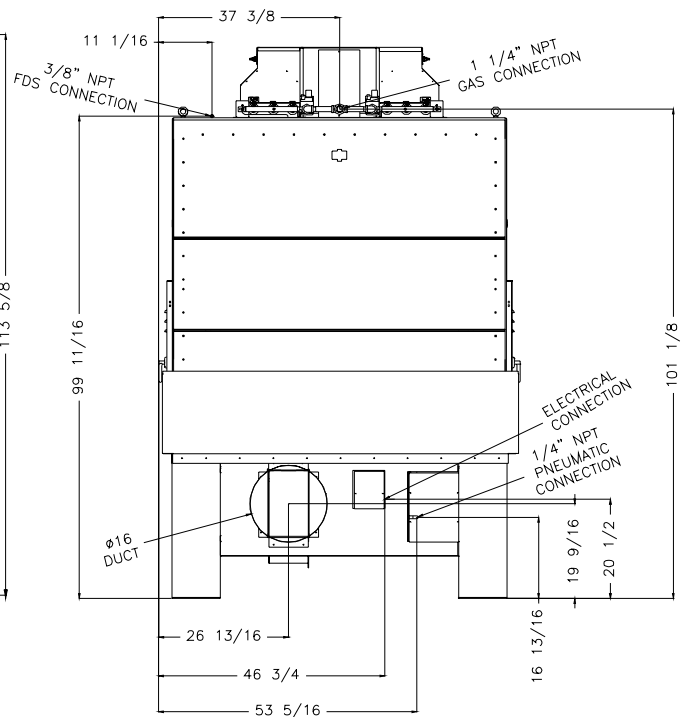
## GAS DRYERS



**SIDE VIEW**



**FRONT VIEW**



**REAR VIEW**